

EVoline® Port Push

NEU
NOUVEAU
NEW



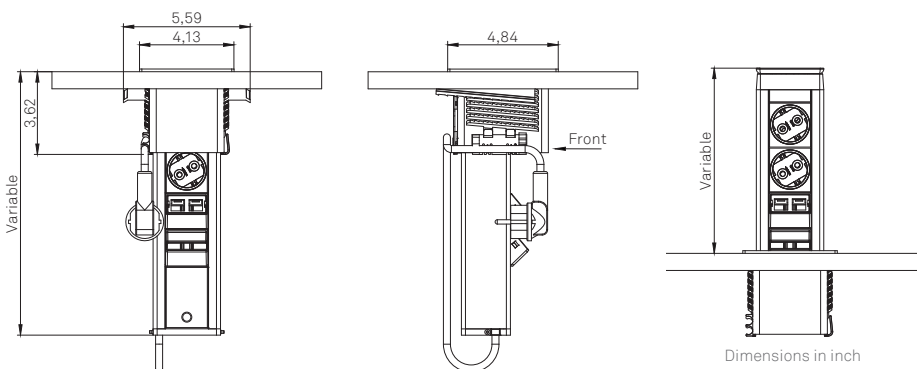
The retractable rectangular solution

EVOLine[®] Port Push

The EVOLine Port Push fits virtually flush with the work surface.

By using the Push-To-Open function, the housing is released and appears above the work surface, enabling an easy pull up to connect power and data cables. With a light press of a finger, it retracts with connected leads. Slide dampers ensure a soft closing. The patented rocking cover enables a space-saving cable routing through the desk.

The Port Push modules can be assembled to customer's needs. The interchangeable data and multimedia modules allow greater flexibility, enabling future proof technology with ever changing usage requirements.



Push-Function facilitates the opening

Individual surfaces



Brushed Stainless Steel



Glass, black



Glass, white

International power socket modules





USB-Charger:
Charges all common
devices with
USB connection



Bespoke assembly with
interchangeable modules
to meet your requirements




EVoline® Port Push

Description	Picture	Specifications	Order Number
<p>EVoline Port Push</p> <p>Aluminium housing, silver anodised. For surface thickness up to 50 mm. 2 × sockets, VDE-compliant, 60°, 16 A, contact-protected. Fixed supply cable 3.0 m with angled plug.</p>	 A vertical, rectangular aluminium housing with a silver anodised finish. It features a black plastic top cover and a brushed stainless steel inlay. Two circular VDE sockets are visible on the front face, arranged vertically. A fixed supply cable with an angled plug is attached to the top.	<p>Cover and collar in black plastic with brushed stainless steel inlay</p>	1593 1100 0300
<p>EVoline Port Push</p> <p>Aluminium housing, silver anodised. For surface thickness up to 50 mm. 3 × sockets, VDE-compliant, 60°, 16 A, contact-protected. Fixed supply cable 3.0 m with angled plug.</p>	 A vertical, rectangular aluminium housing with a silver anodised finish. It features a black plastic top cover and a brushed stainless steel inlay. Three circular VDE sockets are visible on the front face, arranged vertically. A fixed supply cable with an angled plug is attached to the top.	<p>Cover and collar in black plastic with brushed stainless steel inlay</p>	1593 1100 0400


Description	Picture	Specifications	Order Number
<p>EVoline Port <i>Push</i> Cuisine</p> <p>Aluminium housing, silver anodised. For surface thickness up to 50 mm. 3 × sockets, VDE-compliant, 60°, 16 A, contact-protected. Fixed supply cable 2.5 m with wire end ferrules, plug supplied unattached.</p>		<p>Cover and collar in black plastic with brushed stainless steel inlay</p>	<p>1593 1100 0100</p>
<p>EVoline Port <i>Push</i> Cuisine Charger</p> <p>Aluminium housing, silver anodised. For surface thickness up to 50 mm. 1 × USB-Charger Type A* 3 × sockets, VDE-compliant, 60°, 16 A, contact-protected. Fixed supply cable 2.5 m with wire end ferrules, plug supplied unattached.</p>		<p>Cover and collar in black plastic with brushed stainless steel inlay</p>	<p>1593 1100 0200</p>
<p>EVoline Port <i>Push</i> DATA</p> <p>Aluminium housing, silver anodised. For surface thickness up to 50 mm. 3 × sockets, VDE-compliant, 60°, 16 A, contact-protected. 2 × modular couplings RJ45 to RJ45 CAT 6 shielded, 1:1 interconnected. Fixed supply cable 3.0 m with angled plug.</p>		<p>Cover and collar in black plastic with brushed stainless steel inlay</p>	<p>1593 1100 0500</p>

*The USB charging function cannot be guaranteed due to the multitude of manufacturers and devices on the market

EVoline® Port *Push*

Description	Picture	Specifications	Order Number
EVoline Port <i>Push</i> CHARGER Aluminium housing, silver anodised. For surface thickness up to 50 mm. 2 × USB- Charger Typ A* 2 × sockets, VDE-compliant, 60°, 16 A, contact-protected. Fixed supply cable 3.0 m with angled plug.		Cover and collar in black plastic with brushed stainless steel inlay	1593 1100 0600

EVoline® Port *Push* Individual

Empty Housing EVoline Port <i>Push</i> Aluminium housing, silver anodised. For surface thickness up to 50 mm.		Cover and collar in black plastic with brushed stainless steel inlay	9332 0040 0000
		Cover and collar in black plastic with frosted white glass inlay	9332 1020 0000
		Cover and collar in black plastic with glossy black glass inlay.	9332 1030 0000

Cover options



Brushed Stainless Steel



Glass, glossy black



Glass, frosted white

EVoline®

USA

Schulte Electro Systems Corp.

41W020 Seavey Road
Sugar Grove, IL 60554-9573

Telephone +1 (0) 630 / 409 9445
Telefax +1 (0) 630 / 406 0505

E-Mail info@evoline-usa.com
Internet www.evoline-usa.com

Germany

Schulte Elektrotechnik GmbH & Co. KG

Juengerstraße 21
D-58515 Luedenscheid

Telephone +49 (0) 23 51 / 94 81-0
Telefax +49 (0) 23 51 / 4 26 58

E-Mail info@schulte.com
Internet www.evoline.com

